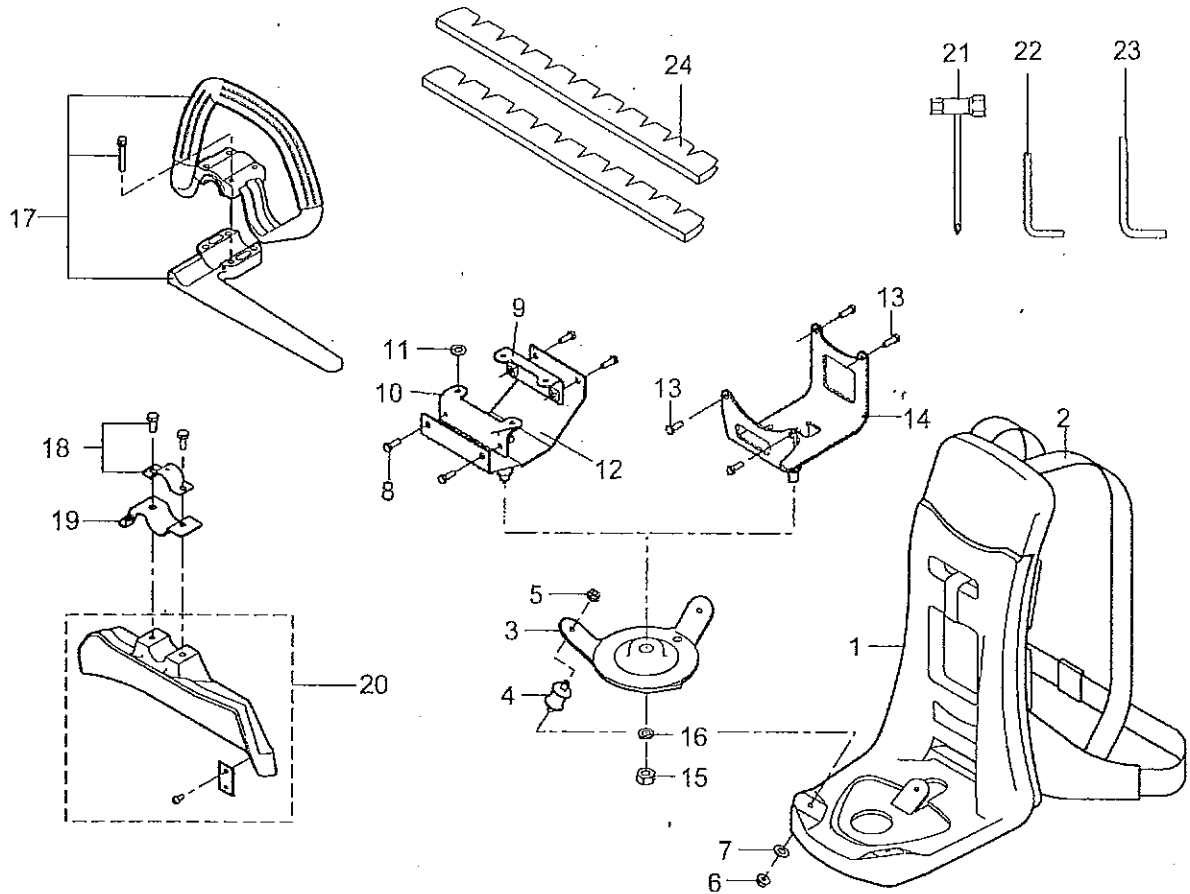


46012-156 '04.10.06 1/2

REF. No.	PARTS Lv.	PARTS NO.		PARTS NAME	QTY		REMARKS
					TL	TH	
1	1	71008	320	GEAR CASE ASS'Y	1	1	
2	2	61001	119	SPLINE SLEEVE	1	1	
3	2	11001	150	HOLDER(A)	1	1	
4	2	11002	126	HOLDER(B)	1	1	
5	2	31001	106	SAW LOCK NUT	1	1	
6	2	11027	119	STABILIZER	1	1	
7	2	322N	0810	(+)HEXAGON BOLT	1	1	M8 × 10
8	2	412N	0620	SOCKET SCREW	1	1	M6 × 20
9	2	413N	0515	SOCKET SCREW(WSW)	1	1	M5 × 15
10	1	71130	181	MAIN PIPE C.P.	1	1	
11	1	64011	231	MAIN SHAFT	1	1	
12	1	71056	219	THROTTLE LEVER ASS'Y	1	1	
13	1	71077	122	FLEX. CONNECTOP ASS'Y	1	1	
14	2	423N	0535	SOCKET SCREW FLANGE	1	1	M5 × 35
15	1	71015	176	FLEX.ASS'Y	1	1	
16	2	64007	156	FLEX. CASE C.P.	1	1	
17	2	64021	135	FLEX. SHAFT	1	1	
18	2	217B	2500	O-RING	1	1	
19	1	71010	230	CLUTCH CASE ASS'Y	1	1	
20	2	31034	143	PIN	1	1	
21	2	68013	135	SPRING	1	1	
22	2	828V	0400	U-SNAP RING	1	1	
23	2	36065	254	COVER	1	1	φ4
24	1	416N	0620	SOCKET SCREW (W/SW,PW)	4	4	
25	1	36014	102	PROTECTION RUBBER	1	1	M6 × 20
26	1	51002	112	WIRE HOLDER	2	2	

VRS441 (TL50/52, TH43/48)
Frame and Fittings



46012-156 '04.10.06 2/2

REF. No.	PARTS Lv.	PARTS NO.		PARTS NAME	QTY		REMARKS
					TL	TH	
1	1	36122	122	KNAPSACK FRAME	1	1	
2	1	91027	135	KNAPSACK PAD	1	1	
3	1	11121	106	09 SUPPORT C.P.	1	1	
4	1	36005	167	RUBBER	3	3	
5	1	571L	0600	FLANGE NUT	3	3	M6
6	1	561L	0600	U-HEXAGON NUT	3	3	M6
7	1	68036	125	WASHER	3	3	
8	1	318L	0612	(+)HEXAGON BOLT (W/SW)		4	M6 x 12
9	1	11113	360	STAY		1	
10	1	11113	359	STAY		1	
11	1	68036	158	WASHER		4	
12	1	71223	142	SUPPORT ASS'Y		1	
13	1	31057	139	HEXAGON BOLT	4		
14	1	11020	132	ENGINE SUPPORT	1		
15	1	513L	1000	HEXAGON NUT	1	1	M10
16	1	661L	1000	SPRING LOCK WASHER	1	1	M10
17	1	71304	102	SINGLE HANDLE SET	1	1	
18	1	71038	172	SAFETY GUARD BAND SET	1	1	
19	1	11029	139	SAFETY GUARD BAND	1	1	
20	1	71303	103	SAFRTY GUARD SET	1	1	
21	1	66006	117	BOX SPANNER	1	1	17 x 19
22	1	66007	103	L WRENCH	1	1	4
23	1	66007	104	L WRENCH	1	1	5
24	1	36044	107	BLADE COVER	1	1	

of Total
more
11/10/06